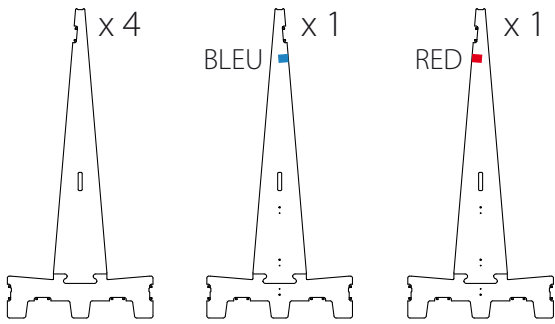


PATENT US 8726816

PATENT EU



**WHEELS**

WB.80.60.125  
WB.80.60.160

